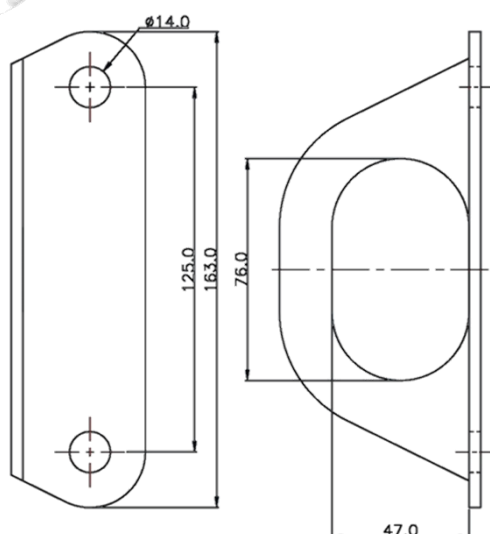




TECHNICAL SHEET FA 60 028 14

FLANGE ANCHOR LARGE OPENING



Opening:	CE	Weight :
47 x 76 mm		0.31 kg

- Anchor point with large opening, designed to be fixed on walls, ceilings, rooftops...
- Ideal for use with an anchorage hook with large gate opening, such as telescopic pole anchorage hook (FA 60 016 02, FA 60 016 06), FA 50 207 55, FA 50 208 60...
- Two holes for fixing.
- Positioning through 2 fastenings \varnothing 13 mm max. (chemical or mechanical pins, Stainless steel screw and nut system) in steel structure, or concrete.
- Designed for a use by one person at a time.
- Can be installed in any way, can be used in the 3 directions (horizontally, vertically, diagonally).
- **Compliance:** EN795:2012 Type A.
Static strength as per EN 795:2012 : 12 kN.
Minimum breaking strength > 23kN.

Material: Stainless steel

HS CODE
8308 10 00
CARTON SIZE / PIECES
40 x 30 x 15 cm / 25
Technical report SPC0242171 Extension 1
Satra Technology Centre, N°0321 Wyndham Way, Telford Way, Kettering Northamptonshire, NN16 8SD, United Kingdom
ARTICLE 11 GB07/73551
SGS United Kingdom Ltd., N°0120 Unit 202B, Worle Parkway, Weston-super-Mare, BS22 6WA, United Kingdom

KRATOS SAFETY

689 Chemin du Buclay
38540 Heyrieux- FRANCE

Tel. : +33 (0)4 72 48 78 27

Fax. : +33 (0)4 72 48 58 32

www.kratossafety.com / info@kratossafety.com